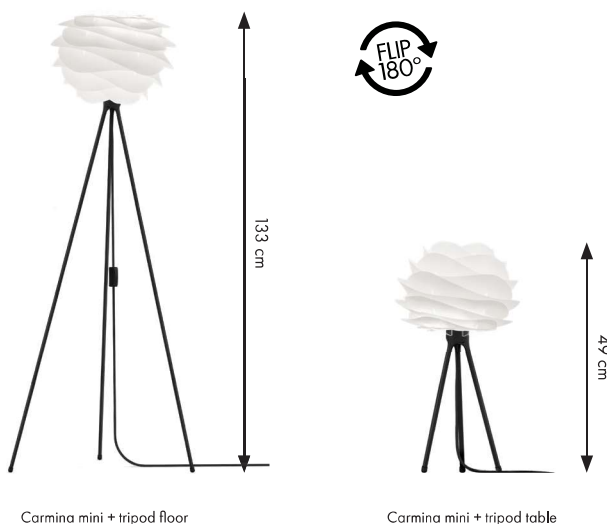
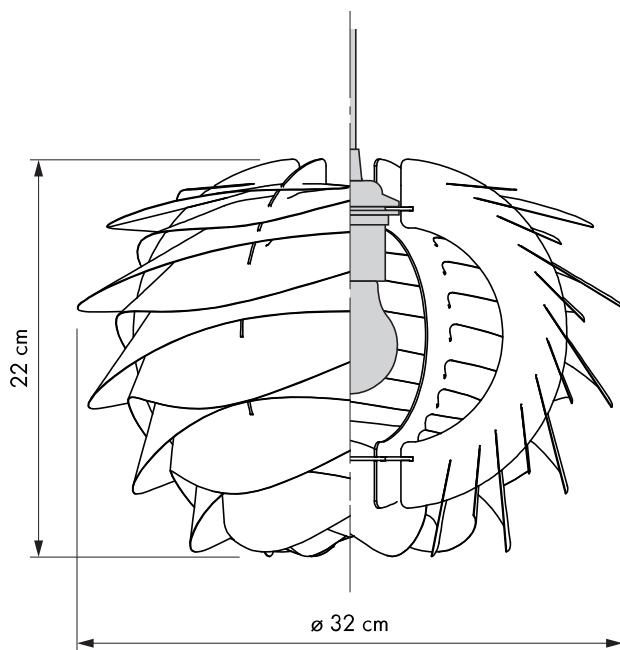


# VITA Carmina mini

#2057  
#2059  
#2061  
#2063  
#2079  
#2080

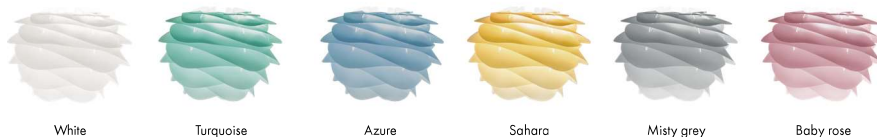
Designed by Soren Ravn Christensen & Anders Klem in Copenhagen, Denmark



Carmina mini + tripod floor

Carmina mini + tripod table

## Colour variations



White

Turquoise

Azure

Sahara

Misty grey

Baby rose



**Floor and pendant in one**



**Unbreakable**



**Dimensions**

ø 32 cm  
h 22 cm



**Material**

Polycarbonate and polypropylene



**Weight incl. packaging**

0,59 kg



**Light source**

E27 / E26 - max 15 W LED  
Bulb recommendation: #4026



**Packaging**

Gift Box, Dimensions (W×H×D): 22x22x11 cm



**Assembly time**

15 min - video guide at [www.vitacopenhagen.com](http://www.vitacopenhagen.com)



**Media Kit**

Photos, 3D models, 2D drawings  
Download at [www.vitacopenhagen.com](http://www.vitacopenhagen.com)



**Ordering Information**

Carmina mini white	#2057
Carmina mini turquoise	#2059
Carmina mini azure	#2061
Carmina mini sahara	#2063
Carmina mini misty grey	#2079
Carmina mini baby rose	#2080

**Accessories**

Cord set white (pendant)	#4005
Cord set black (pendant)	#4006
Cannonball white (pendant)	#4031
Cannonball black (pendant)	#4032
Tripod floor white	#4015
Tripod floor black	#4016
Tripod table white	#4021
Tripod table black	#4022
Tripod base white	#4053
Tripod base black	#4054
Champagne floor white	#4035
Champagne floor black	#4036
Idea 6W 60 mm LED bulb	#4026
Idea 6W 80 mm LED bulb	#4033
Idea 2W 45 mm LED bulb	#4039
Idea 13W 70 mm LED bulb	#4136



**Download the VITA Unfold at Home App**

It helps you choose the perfect lamp

UNFOLD  
AT HOME



**VITA**  
COPENHAGEN

VITA copenhagen ApS  
Kongens Nytorv 15  
DK-1050 Copenhagen K  
Denmark

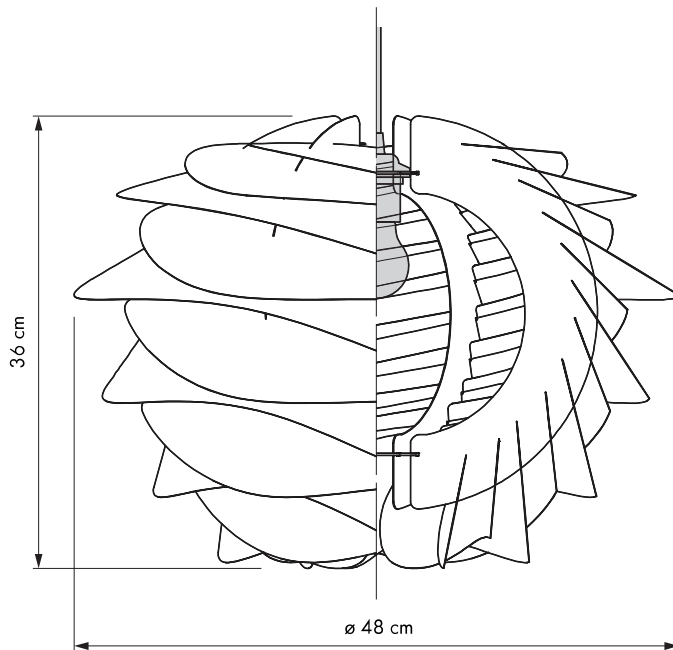
+45 31 39 31 31 (tel)  
+45 31 73 32 29 (fax)  
info@vitacopenhagen.com  
www.vitacopenhagen.com

The specifications and dimensions are subject to change without notice  
Document date: 15 February 2018 1:57 PM

# VITA Carmina medium


#2056

Designed by Soren Ravn Christensen & Anders Klem in Copenhagen, Denmark




 **Floor and pendant in one**

 **Unbreakable**

**Dimensions**  
  $\varnothing$  48 cm  
 h 36 cm

**Material**  
 Polycarbonate and polypropylene

**Weight incl. packaging**  
 1,45 kg

**Light source**  
 E27 / E26 - max 15 W LED  
 Bulb recommendation: #4026

**Packaging**  
 Gift Box, Dimensions (W×H×D): 36x36x15,5 cm

**Assembly time**  
 15 min - video guide at [www.vitacopenhagen.com](http://www.vitacopenhagen.com)

**Media Kit**  
 Photos, 3D models, 2D drawings  
 Download at [www.vitacopenhagen.com](http://www.vitacopenhagen.com)

## # Ordering Information

Carmina medium white #2056

### Accessories

Cord set white (pendant)	#4005
Cord set black (pendant)	#4006
Cannonball white (pendant)	#4031
Cannonball black (pendant)	#4032
Rosette white	#4144
Rosette black	#4145
Tripod floor white	#4015
Tripod floor black	#4016
Tripod table white	#4021
Tripod table black	#4022
Tripod base white	#4053
Tripod base black	#4054
Champagne floor white	#4035
Champagne floor black	#4036
Idea 6W 60 mm LED bulb	#4026
Idea 6W 80 mm LED bulb	#4033
Idea 2W 45 mm LED bulb	#4039
Idea 13W 70 mm LED bulb	#4136



Carmina + tripod floor

Carmina + tripod table

 **Download the VITA Unfold at Home App**  
 It helps you choose the perfect lamp

UNFOLD  
 AT HOME



## Colour variations



White

**VITA**  
 COPENHAGEN

VITA copenhagen ApS  
 Kongens Nytorv 15  
 DK-1050 Copenhagen K  
 Denmark

+45 31 39 31 31 (tel)  
 +45 31 73 32 29 (fax)  
 info@vitacopenhagen.com  
 www.vitacopenhagen.com

The specifications and dimensions are subject to change without notice  
 Document date: 15 February 2018 1:57 PM