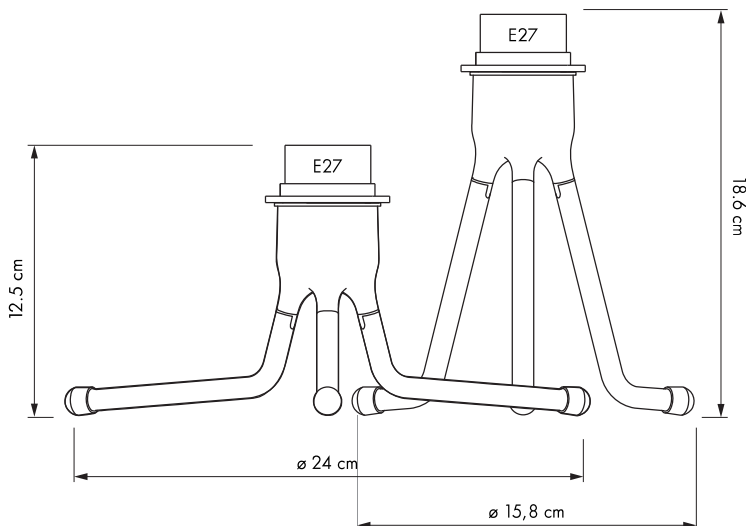


# VITA Tripod base

#4053  
#4054

Designed by Soren Ravn Christensen in Copenhagen, Denmark



**Dimensions**  
ø 15,8 or 24 cm  
h 18,6 or 12,5 cm

**Material**  
Includes 2m of textile cord, switch, plug and E27 socket.

**Weight incl. packaging**  
610 g

**Light source**  
E27 / E26  
Max 15 W LED

**Packaging**  
Gift Box, Dimensions (W×H×D): 16,6x16,6x9,3 cm

**Assembly time**  
5 min - video guide at [www.vitacopenhagen.com](http://www.vitacopenhagen.com)

**Media Kit**  
Photos, 3D models, 2D drawings  
Download at [www.vitacopenhagen.com](http://www.vitacopenhagen.com)

**# Ordering Information**

Tripod base white	#4053
Tripod base black	#4054

**Accessories**

Idea 6W 60 mm LED bulb	#4026
Idea 6W 80 mm LED bulb	#4033
Idea 2W 45 mm LED bulb	#4039
Idea 13W 70 mm LED bulb	#4136



## Colour variations



White

Black

**Download the VITA Unfold at Home App**  
It helps you choose the perfect lamp

UNFOLD  
AT HOME



**VITA**  
COPENHAGEN

VITA copenhagen ApS  
Kongens Nytorv 15  
DK-1050 Copenhagen K  
Denmark

+45 31 39 31 31 (tel)  
+45 31 73 32 29 (fax)  
info@vitacopenhagen.com  
www.vitacopenhagen.com

The specifications and dimensions are subject to change without notice  
Document date: 15 February 2018 1:57 PM