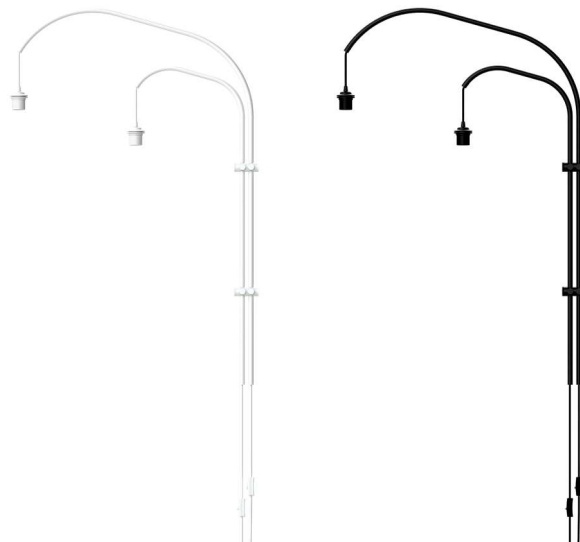
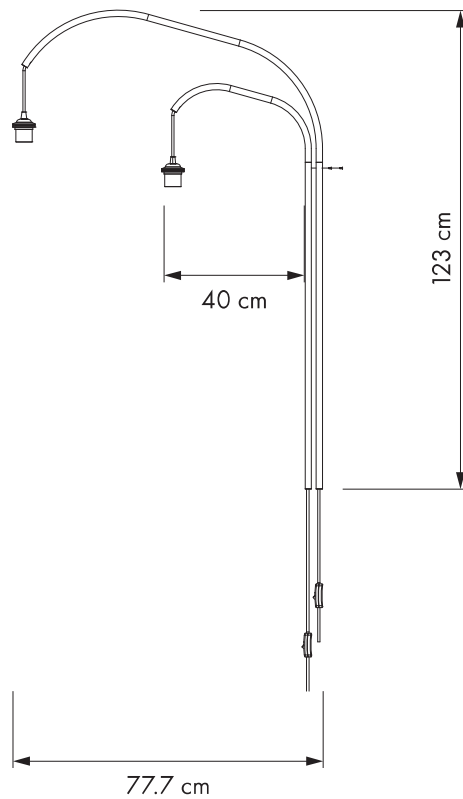


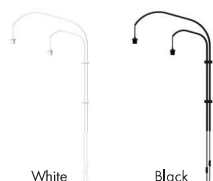
# VITA Willow double

#4130  
#4131

Designed by Soren Ravn Christensen in Copenhagen, Denmark



## Colour variations



White

Black



### Use for wall



### Dimensions

l 40 / 77.7 cm  
h 123 cm



### Material

Aluminium and steel. Includes 1.3 m textile cord sets, 2 x plug and E27 socket.



### Weight incl. packaging

3.55 kg



### Light source

E27  
Max 15 W LED



### Packaging

Gift Box, Dimensions (W×H×D): 88.5 x 8.5 x 34 cm



### Assembly time

15 min - video guide at [www.vitacopenhagen.com](http://www.vitacopenhagen.com)



### CE certified

For indoor use



### Media Kit

Photos, 3D models  
Download at [www.vitacopenhagen.com](http://www.vitacopenhagen.com)



### Ordering Information

Willow double white	#4130
Willow double black	#4131

### Accessories

Idea 13W 70 mm LED bulb	#4136
Idea 6W 60 mm LED bulb	#4026
Idea 6W 80 mm LED bulb	#4033
Idea 2W 45 mm LED bulb	#4039



### Download the VITA Unfold at Home App

It helps you choose the perfect lamp

UNFOLD  
AT HOME



**VITA**  
COPENHAGEN

VITA copenhagen ApS  
Kongens Nytorv 15  
DK-1050 Copenhagen K  
Denmark

+45 31 39 31 31 (tel)  
+45 31 73 32 29 (fax)  
info@vitacopenhagen.com  
www.vitacopenhagen.com

The specifications and dimensions are subject to change without notice  
Document date: 15 February 2018 1:57 PM